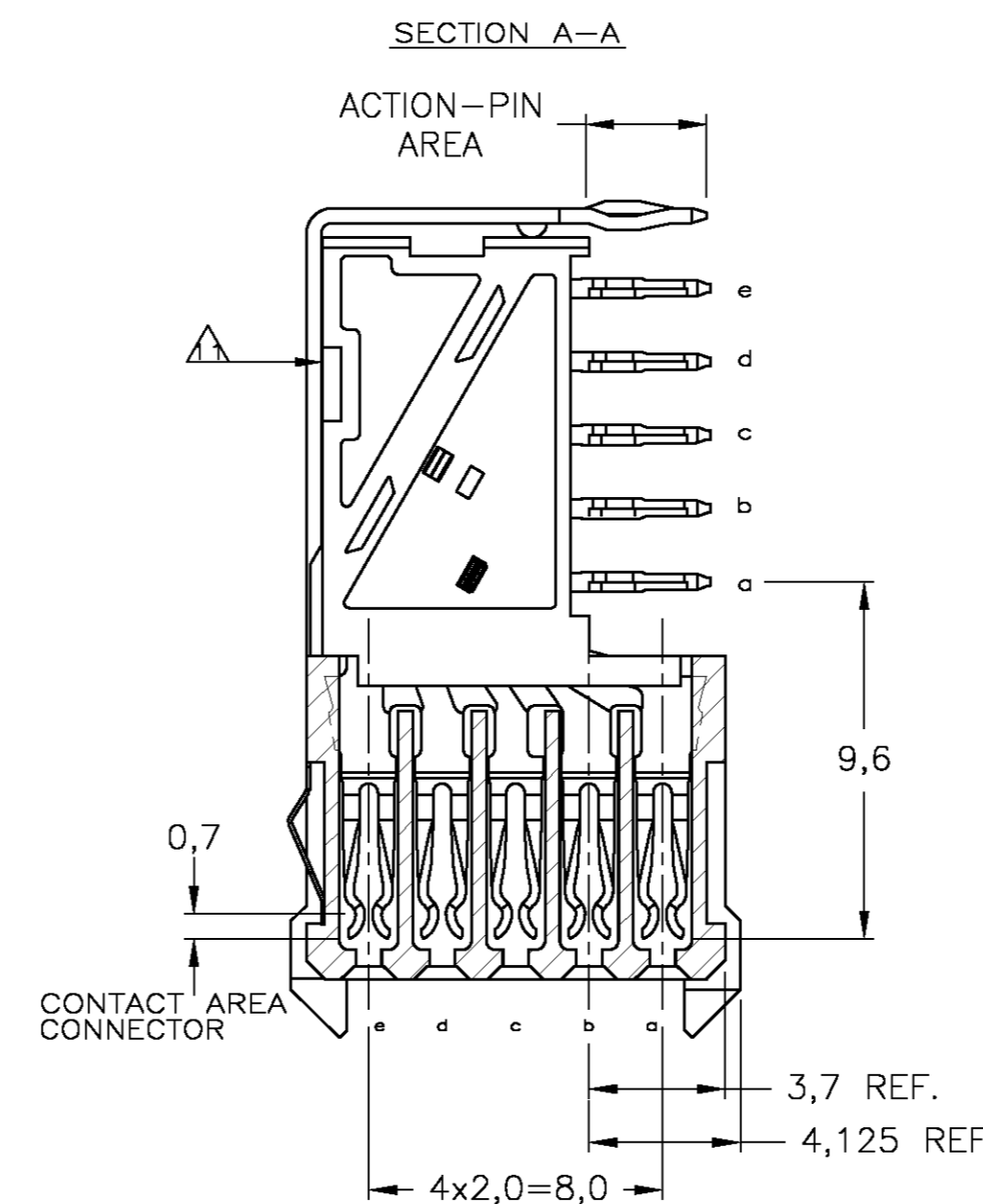
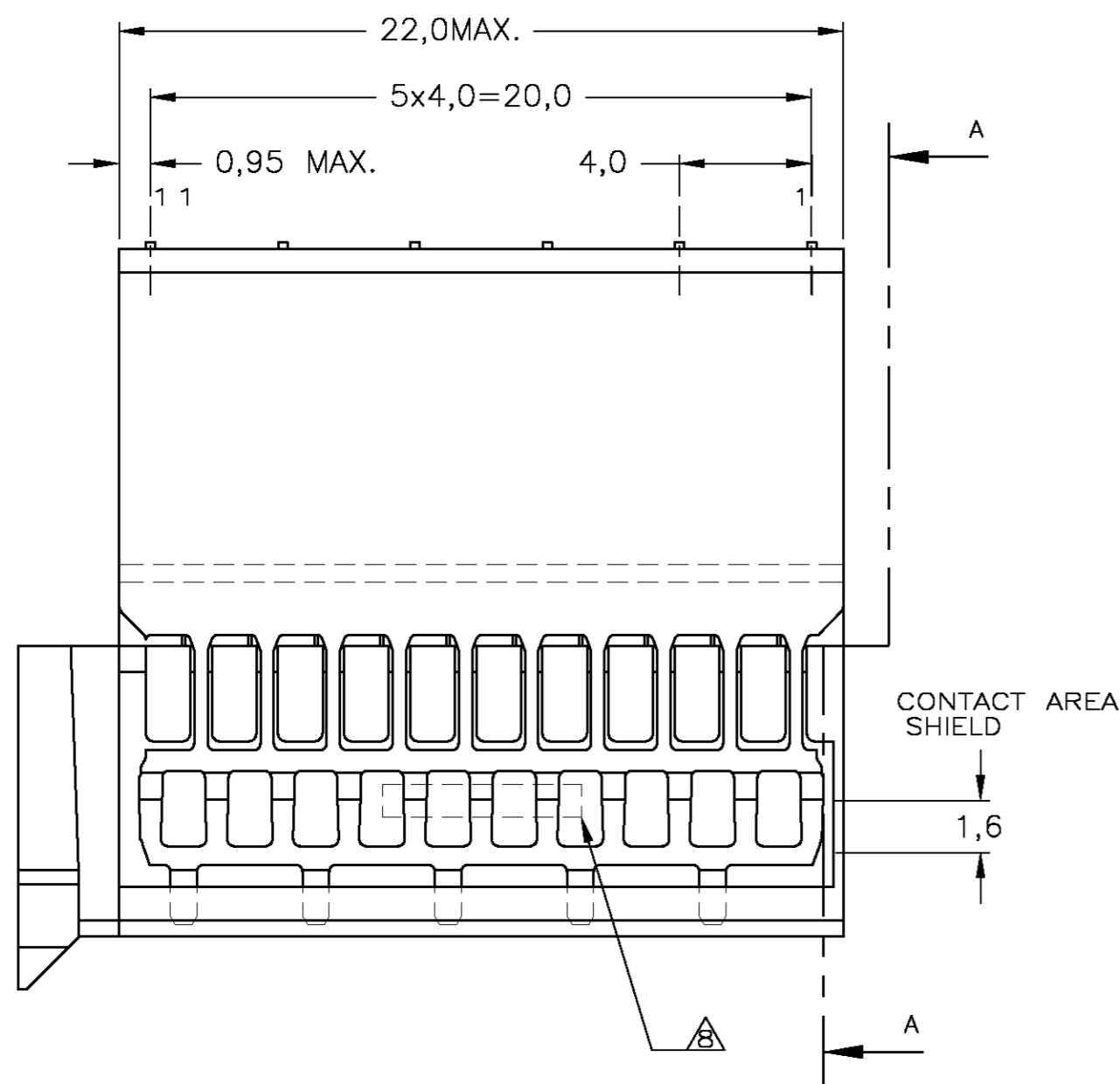
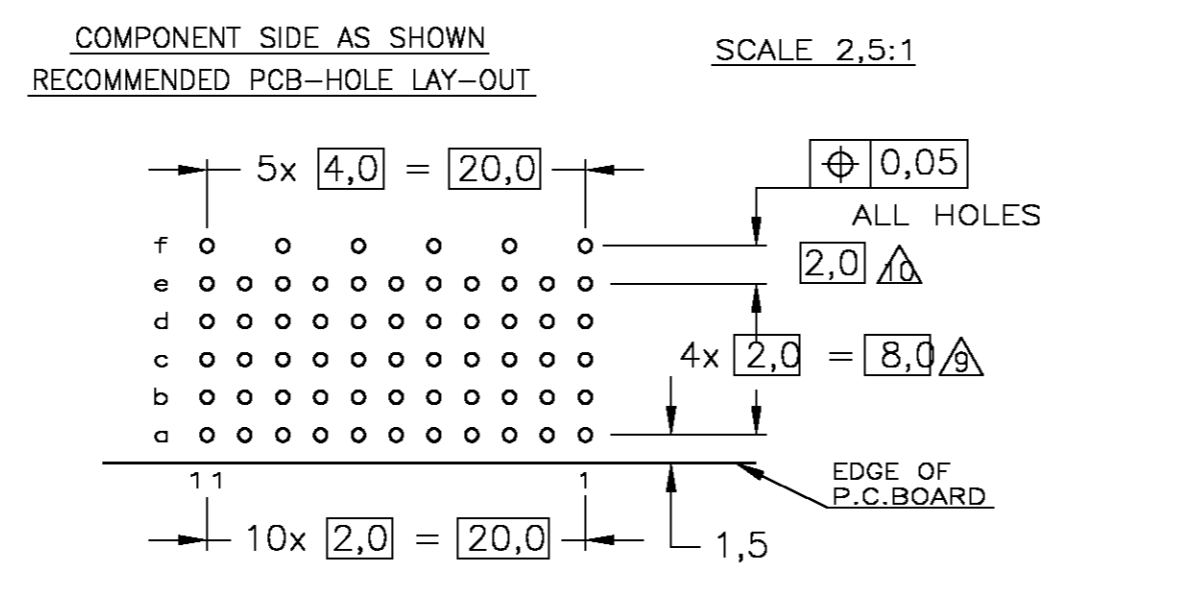
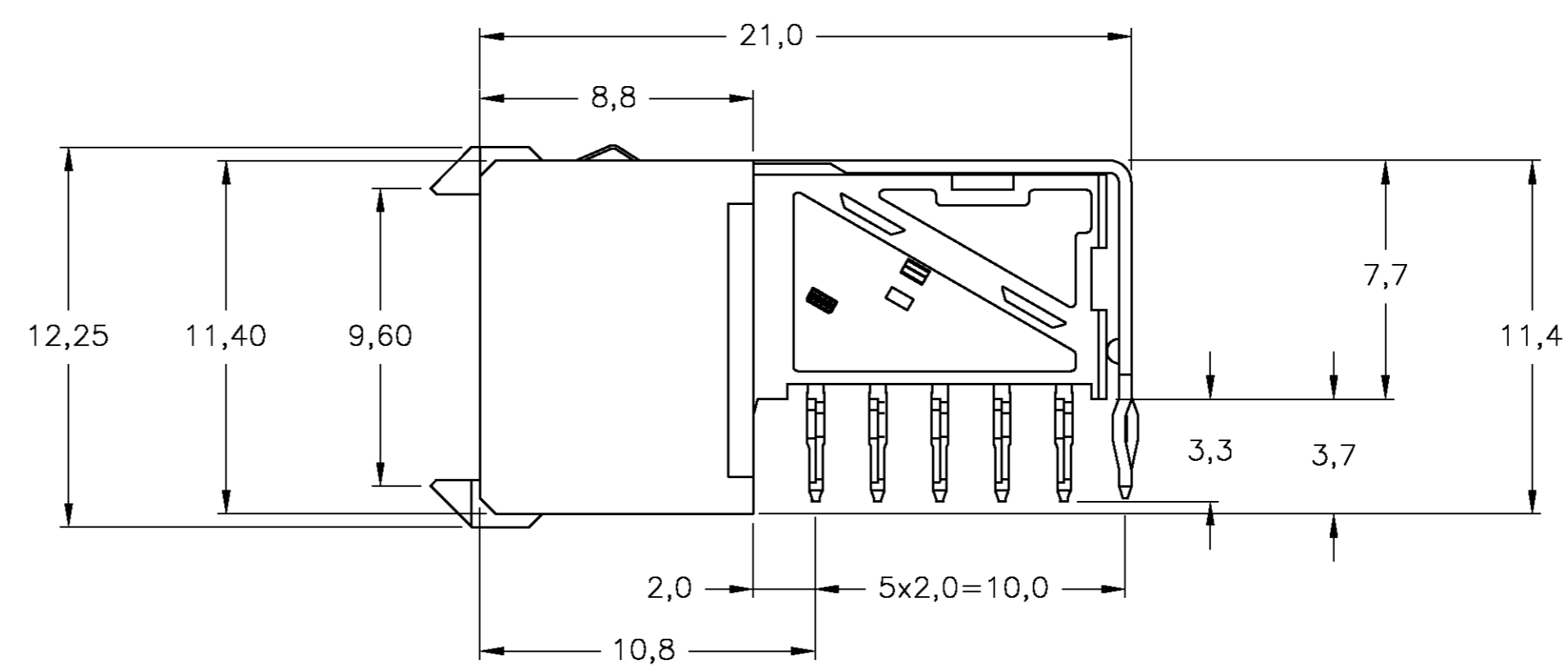
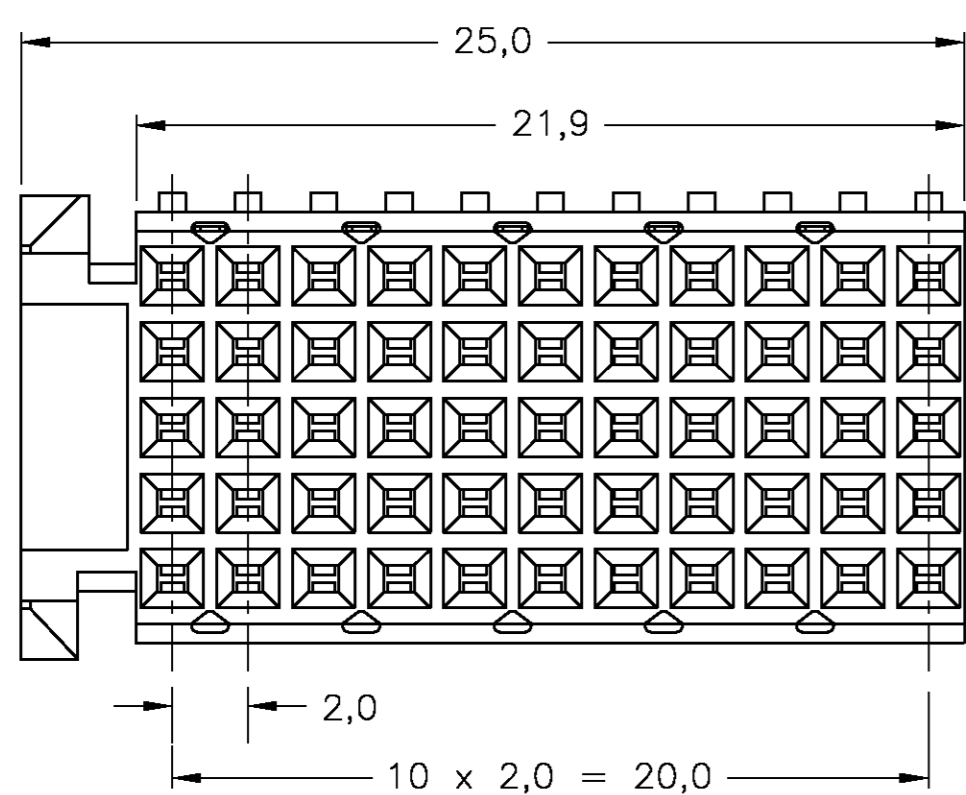


THIS DRAWING IS UNPUBLISHED. RELEASED FOR PUBLICATION
 © COPYRIGHT BY TYCO ELECTRONICS CORPORATION. ALL RIGHTS RESERVED.

LOC		DIST		REVISIONS			
P	LTR	DESCRIPTION	DATE	DWN	APVD		
	B2	ECR-07-019485	19SEP2007	JvH	BM		



- NOTES:**
- △ MATERIAL CONTACTS; PHOSPHORBRONZE
MATERIAL SHIELD ; PHOSPHORBRONZE
MATERIAL HOUSING; GLASSFILLED POLYESTER (GRAY)
 - △ GENERAL PLATING SPECIFICATION: UNDERPLATING (ENTIRE CONTACT):
1,27µm NICKEL MIN. AND ACTION PIN: 0,5µm TIN MIN.
FOR PLATING OF MATING SURFACES SEE APPLICABLE SPECIFICATION REFERENCE FOR EACH DASH NUMBER.
 - △ CONFORMS TO ALL TESTING ACCORDING IEC 61076-4-101 PERFORMANCE LEVEL 2.
 - △ CONFORMS TO ALL TESTING ACCORDING IEC 61076-4-101 PERFORMANCE LEVEL 1.
 - △ CONNECTOR TESTED AND QUALIFIED AGAINST TELCORDIA GR-1217-CORE QUALITY LEVEL III, CENTRAL OFFICE APPLICATIONS.
 - △ CONNECTOR LUBRICATED WITH TELCORDIA GR-1217-CORE APPROVED LUBRICANT.
 - △ PLATING SHIELD:
CONTACT AREA: 0,76µm Au MIN.
ACTION PIN : 0,5µm Sn MIN.
REMAINDER : Ni
 - △ ASSEMBLY PRINTED WITH P/N AND DATECODE
THE MARKING CAN APPEAR ON THE FRONT SIDE OR BACK SIDE.
 - △ HOLE PATTERN FOR FEMALE CONNECTOR TYPE C
55 PLATED-THROUGH HOLES AT 2x2mm SQUARE GRID
 - △ ROW "f" 6 PLATED THROUGH HOLES FOR UPSHIELD
 - △ SHIELD MOUNTED ON CONNECTOR WITH DOUBLE SIDED ADHESIVE TAPE OR ADHESIVE
 - 12 FITS WITH LOWERSHIELD, BASIC PARTNUMBER : 5352112.



P.C.B. HOLE DIM. ACTION PIN
 FOR DETAILS SEE
 APPLICATION SPECIFICATION

FINISH		MATERIAL		PARTNUMBER	
△ 5 △ 6 △		△		5352115-9	
△ 4 △		△		5352115-4	
△ 3 △		△		5352115-1	

THIS DRAWING IS A CONTROLLED DOCUMENT.		DWN	19AUG2004	Tyco Electronics Corporation	
		CHK	24SEP2004	's-Hertogenbosch, 5222AR-32	
		APVD	24SEP2004	NAME	
		PRODUCT SPEC	108-19082	Z-PACK 2mm HM	
		APPLICATION SPEC	114-19029	TYPE C - 11 COLUMNS	
		WEIGHT	-	PRE-SHIELDED RECEPTACLE	
		CUSTOMER DRAWING		SIZE	RESTRICTED TO
				A2 00779	-
				SCALE	SHEET
				5:1	1 OF 1
				REV	B2